

- A compact Quilter's station



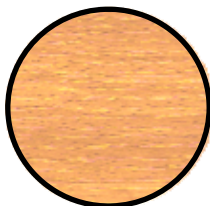
*Centre of needle sewing
Fitted with our longer air-lifter*



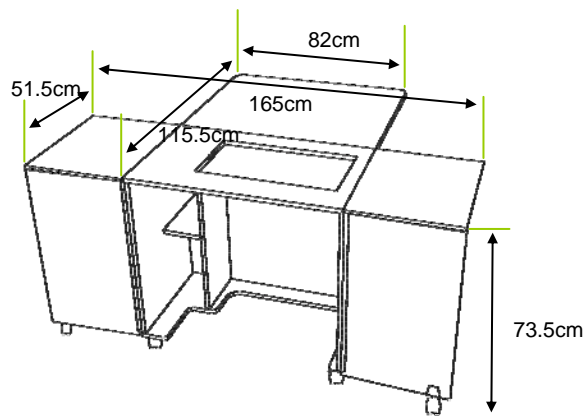
When the back work area's up, its ideal for working on.

- ▶ Centre of the needle sitting position, allows you to be directly in front of the needle when sewing.
- ▶ Extra stable, open base construction; 7 easy rolling castors, are attached to a specially designed reinforced frame.
- ▶ 3 step Soft- touch air lift system means a gentle push moves your machine from storage to flatbed to free-arm positions and will fit virtually all domestic sewing machines on the market old or new!
- ▶ Spacious, see through door bins make finding thread etc.. easy. Also a handy magazine compartment with dividing shelf which adds even more storage.
- ▶ The work surface is fitted with flush mounted non snag hinges.
- ▶ Large work area at the back of the machine. Lifts up easily when needed and down when not (so it doesn't have to be open all the time). It has a very sturdy gate leg design with Quilters/ Patchworkers in mind but is ideal for all sewing projects..
- ▶ Handy storage holder for your machine insert.
- ▶ Attractive soft formed edging finish to the tops
- ▶ Comes fully assembled, the cabinet is beautifully finished front to back, inside and out.

Colour Chart



Beech



CLOSED - WIDE 83.5cm (33") DEEP 56cm (22")
HIGH 76cm (29 3/4)



The OUTBACK closed in Beech

MODEL 1051 Price includes flatbed insert