

The CUB plus

- the Cub's such great value for money!

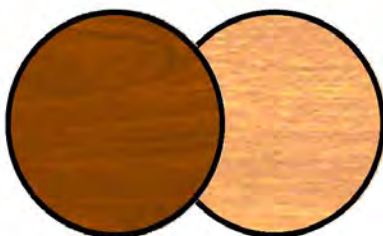


Fitted with our standard air-lifter.

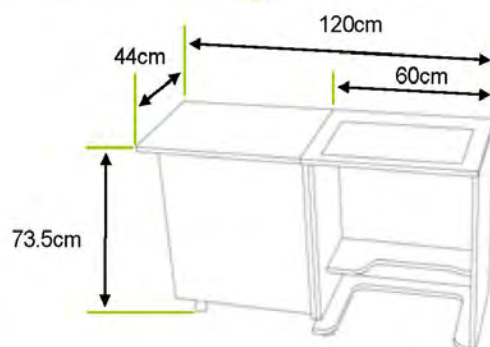
- ▶ Extra stable, open base construction; 5 easy rolling lockable castors, are attached to a specially designed reinforced frame.
- ▶ 3 step Soft touch air lift system means a gentle push moves your machine from storage to flatbed to free-arm positions and will fit many domestic sewing machines on the market old or new!
- ▶ Fantastic newly designed spacious, see through thread boxes that are designed to be removable. This not only makes finding thread etc.. Easy... but you can take them with you as well!
- ▶ Door storage bins are recessed under the lid by means of a specially constructed angled door system this allows your fabric to drape down without catching or disturbing the door bin contents.
- ▶ The work surface is fitted with flush mounted non snag hinges.
- ▶ Comes fully assembled, the cabinet is beautifully finished front to back, inside and out.

Fantastic value for money!

Colour Chart



Teak, Beech



CLOSED - WIDE 60cm (23³/₄") DEEP 44cm (17¹/₂") HIGH 76cm (29³/₄")



The CUB plus is super compact when closed