

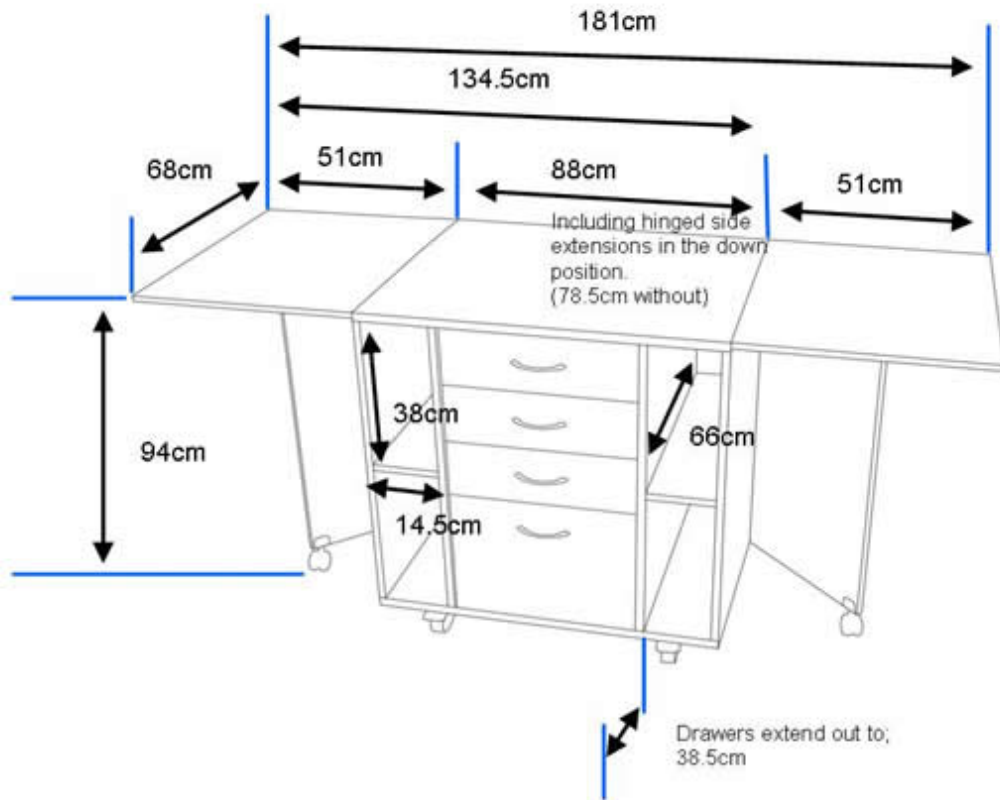
## Stella Features Include



### Features

- 6 castors in all including 4 extra large, heavy duty, lockable wheels fitted to the main body.
- Tough, knock resistant ABS edging surrounds the top for increased durability.
- A convenient slide out hooping platform which hides away above the top drawer when not in use.
- 4 large deep drawers. The bottom drawer is extra deep; perfect for storing bulky machine accessories.
- 4 large pigeon holes -ideal for storing embroidery frames.
- Lift up work areas either side of the main body that are held in place by sturdy gate leg supports.
- Sturdy construction

### Dimensions



**CLOSED - WIDE 88cm (34 1/2") DEEP 68cm (26 3/4")  
HIGH 94cm (37")**

## Colours

Colour Options



Beech